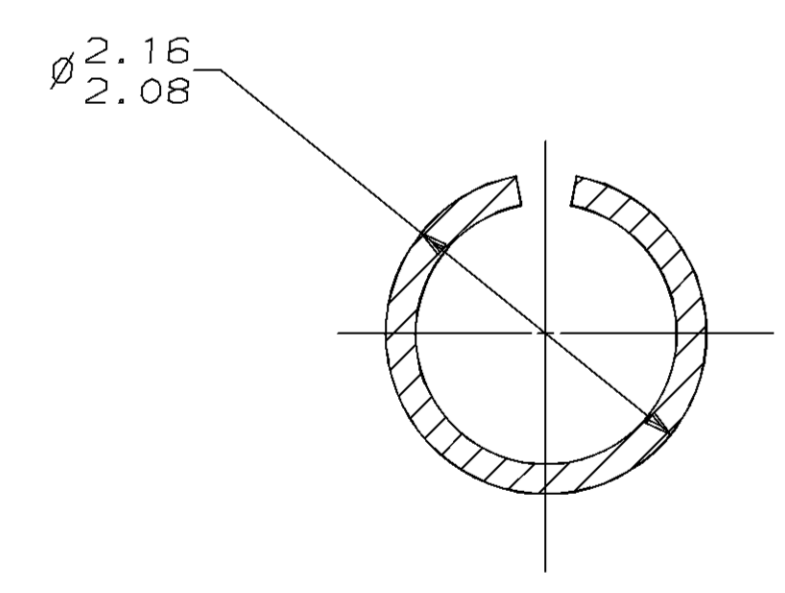
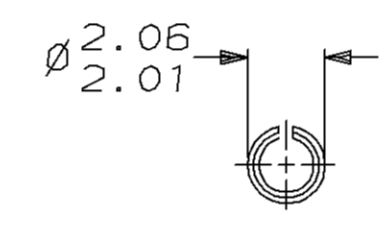
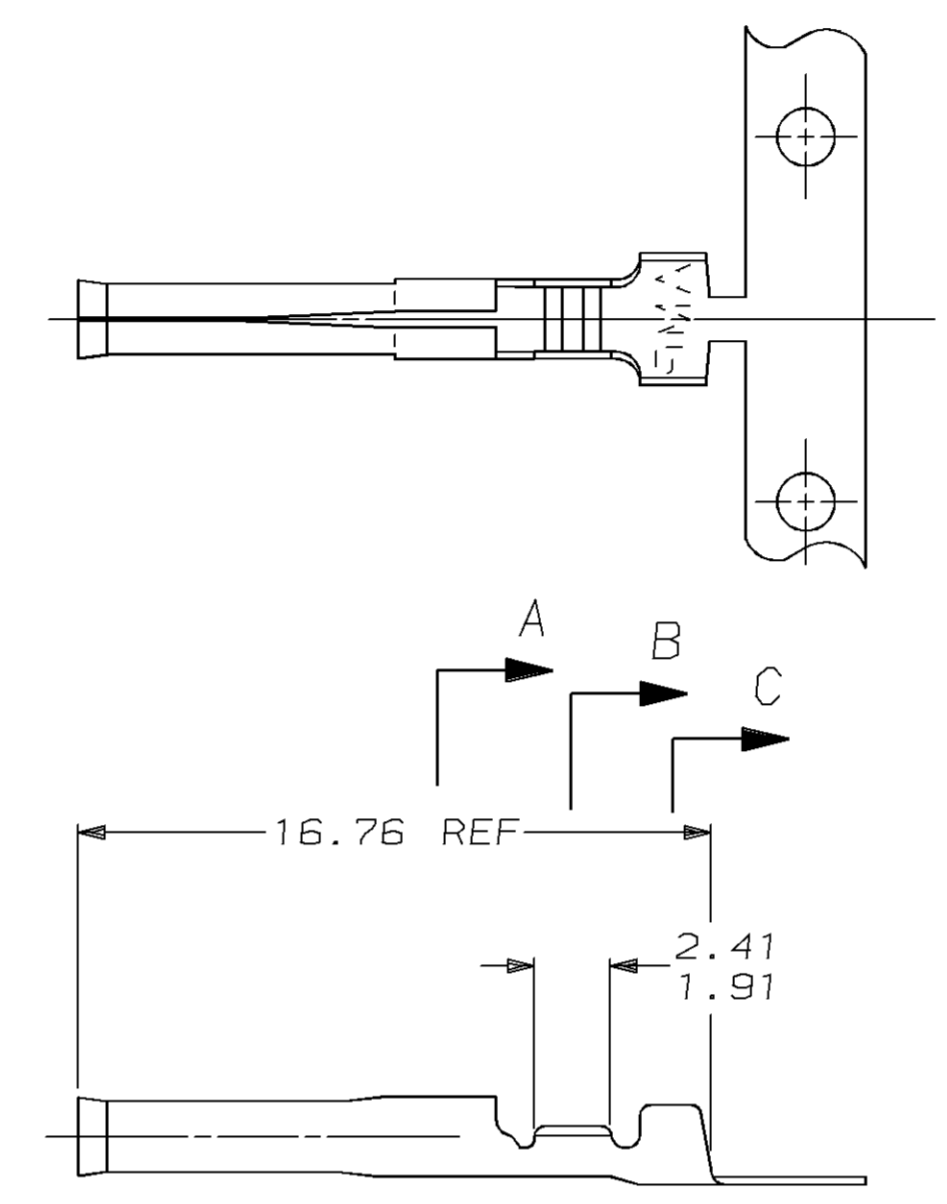
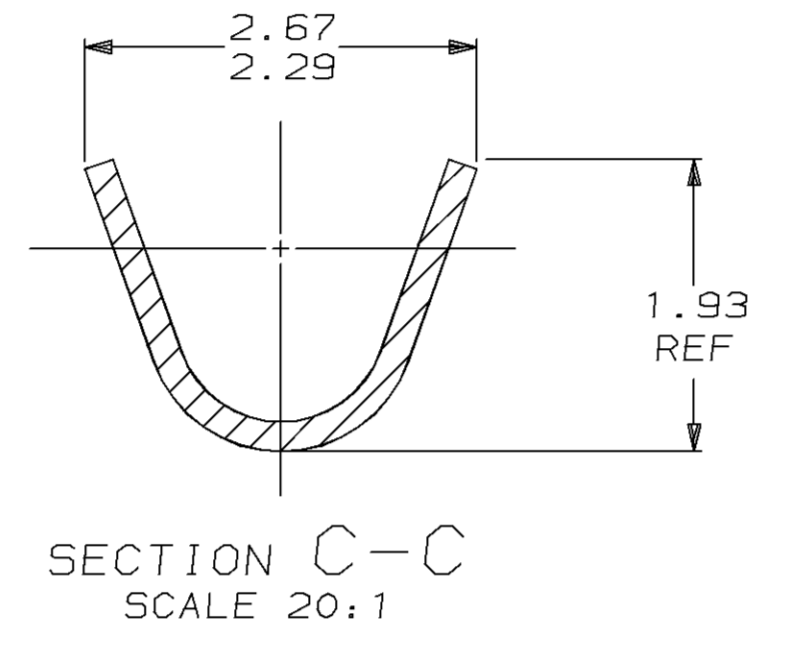
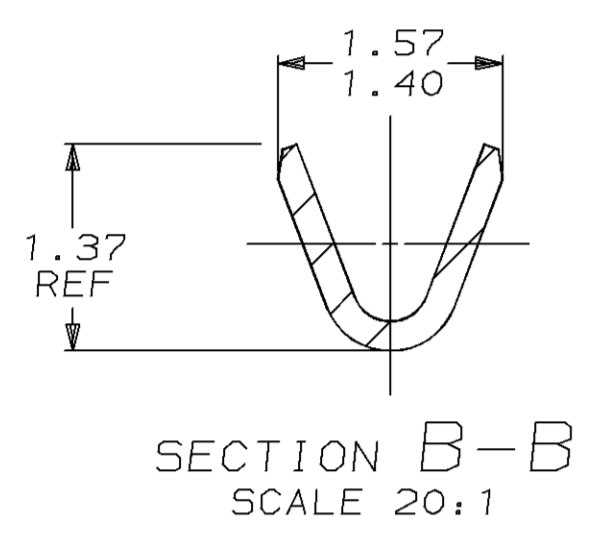


LOC		DIST		P		F		ZONE		LTR		REVISIONS		DATE	APPD	
CM	53												0	RLSD PER PR CM 94-85	8-1-94	KS



SECTION A-A  
SCALE 20:1

2.06	.081	-	-
2.01	.079	-	-
1.93	.076	-	-
1.91	.075	-	-
1.57	.062	16.76	.660
1.52	.060	2.67	.105
1.40	.055	2.41	.095
1.37	.054	2.29	.090
0.20	.008	2.16	.085
0.13	.005	2.08	.082
MM	IN	MM	IN

CONVERSION TABLE

**METRIC**

FINISH	MATERIAL	INSULATION DIAMETER	WIRE RANGE	PART NO
PRE-TIN	0.20 BRASS	1.52 MAX	30-24 (0.05-0.2mm <sup>2</sup> )	794046-1
DO NOT SCALE PRINT. UNLESS SPECIFIED DIMENSIONS IN mm [INCHES] TOLERANCES ON: 2 PLC DEC ± - 3 PLC DEC ± 0.13 ANGLES ± 0°30'		DR 8-1-94 K. SALMON	AMP INCORPORATED Harrisburg, Pa. 17105 NAME .062 SOCKET COMMERCIAL PIN & SOCKET	
SEE TABLE		CHK 8-1-94 R. SWING		
SEE TABLE		APPD 8-4-94 C. CASH		
FINISH	APPLICATION SPEC	APPD 8-4-94 C. CASH	PRODUCT SPEC	
SEE TABLE	-	SIZE <b>D</b>	CAGE CODE 00779	DRAWING NO 794046
	WEIGHT -	SCALE 5:1		SHEET 1 OF 1

CUSTOMER DRAWING